

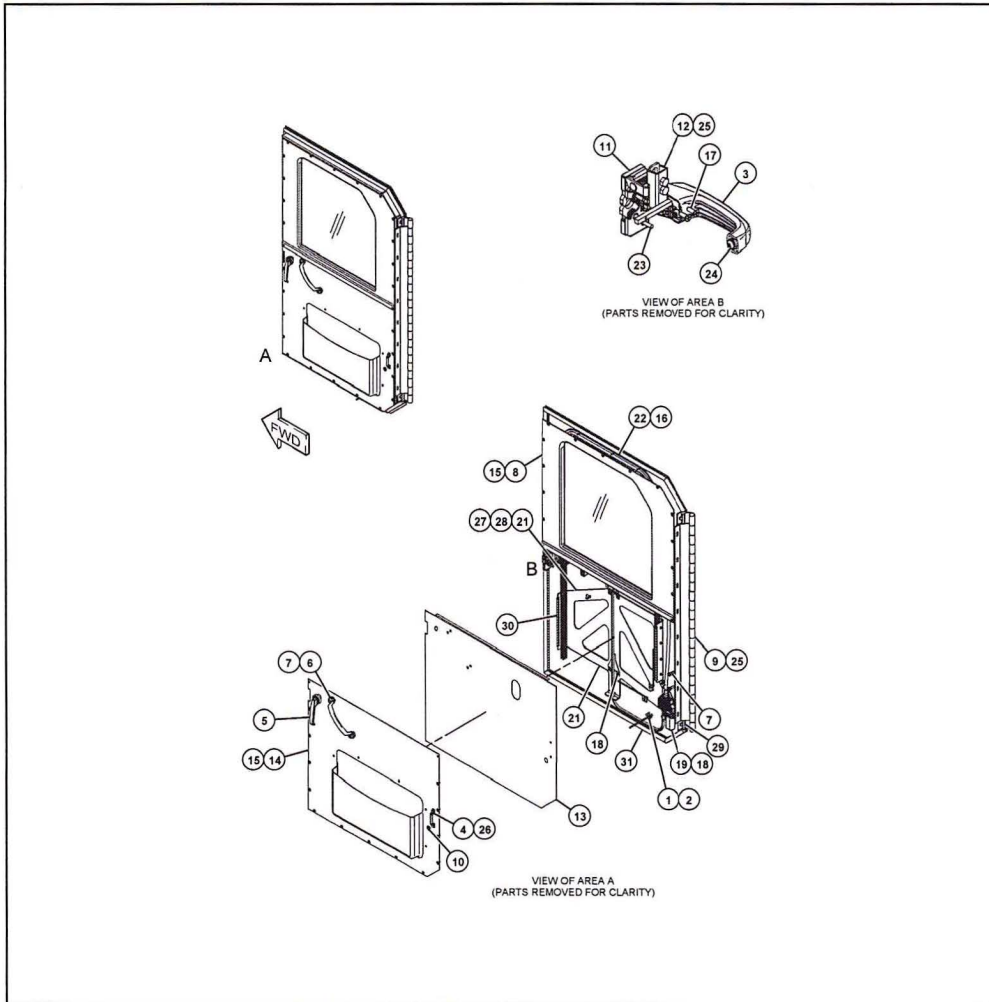


Service Information System

Previous Screen

Welcome: h430mro

Product: NO EQUIPMENT SELECTED
Model: NO EQUIPMENT SELECTED
Configuration: NO EQUIPMENT SELECTED
Change Customer Info: Please Select Customer Information



GRAPHIC #1
g06202385

Cat MT4400D AC Off-Highway Truck, Powered By 3516C GEN SET Electric Power Generation
Media Number - SEBP6359-24 | Publication Date - 01/04/2020 | Date Updated - 16/04/2020

i07030991

488-1593 DOOR GP-CAB -RH
S/N MH41-UP; MT41-UP
PART OF 434-5574 DOOR GP-CAB

ENTIRE GROUP

Ref. Qty.	NPR Note	Part No.	Part Name
Grp <input type="text"/>	<u>NPR</u>	488-1593	DOOR GP-CAB -RH

INDIVIDUAL PARTS

Ref. Qty.	NPR Note	Part No.	Req. Qty.	Part Name
1	<u>NPR</u>	3E-0105	4	MOUNT
2	<u>NPR</u>	3S-2093	4	STRAP-CABLE
3	<u>NPR J</u>	249-2403	1	HANDLE AS Material # 20141207
	<u>NPR</u>	250-4568	1	GASKET
4	<u>NPR</u>	432-3573	1	CLIP
5	<u>NPR</u>	432-3587	1	HANDLE-LATCH (INSIDE) Material # 40552421
6	<u>NPR</u>	8D-7252	1	HANDLE Material # 40552879
7	<u>NPR</u>	432-3592	6	INSERT-THREADED (1/4-20-THD)
8	<u>NPR</u>	432-3600	1	PANEL
9	<u>NPR</u>	432-3610	1	HINGE-DOOR
10	<u>NPR</u>	432-3615	1	GROMMET-SPLIT
11	<u>NPR</u>	432-3622	1	LATCH-DOOR (RH) Material # 20834857
12	<u>NPR</u>	432-3623	1	LATCH (RH) Material # 20835225
13	<u>NPR</u>	432-3627	1	PANEL-DOOR (RH)
14	<u>NPR</u>	432-3630	1	PANEL
15	<u>NPR</u>	432-9164	28	SCREW (NO 8-18X0.5-IN)
16	<u>NPR</u>	432-9938	10	SCREW (8-18X0.75-IN)
17	<u>NPR</u>	6D-5799	4	SCREW-SOCKET
18	<u>NPR</u>	481-1479	7	SCREW (1/4-20X0.29-IN)
19	<u>NPR</u>	488-1602	1	REGULATOR Material # 20835414
21	<u>NPR</u>	488-5938	1	BRACKET
22	<u>NPR</u>	488-5945	1	WINDOW
23	<u>NPR M</u>	121-9870	4	SCREW-MACHINE (M6X1X40-MM)
24	<u>NPR M</u>	215-6406	3	SCREW-TRUSS HEAD (M6X1X16-MM)
25	<u>NPR</u>	4M-0061	11	BOLT (5/16-18X0.75-IN)
26	<u>NPR</u>	7X-2501	2	BOLT (1/4-20X1.25-IN)
27	<u>NPR</u>	8T-0328	8	WASHER-HARD (5.5X10X1-MM THK)
28	<u>NPR</u>	9X-2498	8	SCREW-HEX FLANGE (10-24X0.5-IN)
29	<u>NPR E</u>	432-8006		SEAL (117-CM)
30	<u>NPR D</u>	5P-5952		SEAL (0.4-M EACH)
31	<u>NPR E</u>	432-8003		SEAL (328-CM)

Key:

- D - ORDER BY THE METER
- E - ORDER BY THE CENTIMETER
- J - REQUIRES CORPORATE KEY
- M - METRIC PART

SMCS Codes

37	<input type="text"/>	NPR C	4M-6425	9	BOLT (5/16-18X1-IN)
38	<input type="text"/>	NPR C	2Y-5687	9	WASHER (8.5X16X1.2-MM THK)

Key:

- C - CHANGE FROM PREVIOUS TYPE
- D - ORDER BY THE METER
- E - ORDER BY THE CENTIMETER
- J - REQUIRES CORPORATE KEY
- M - METRIC PART
- Y - SEPARATE ILLUSTRATION

SMCS Codes	
7308	

Copyright 1993 - 2020 Caterpillar Inc.
All Rights Reserved.
Private Network For SIS Licensees.

Fri Jun 05 2020 10:19:27 GMT-0700 (Pacific Daylight Time)